

ULB-40435

[LLTH: ULB-40437]

LBX 1 Recessed - Constant Voltage



Construction

Aluminum Casting

Less than 0.1% copper content - Marine Grade 6060 extruded & LM6 Aluminum High Pressure die casting provides excellent mechanical strength, clean detailed product lines and excellent heat dissipation.

Pre paint

8 step degrease and phosphate process that includes deoxidizing and etching as well as a zinc and nickel phosphate process before product painting.

Memory Retentive -Silicon Gasket

Provided with special injection molded "fit for purpose" long life high temperature memory retentive silicon gaskets. Maintains the gaskets exact profile and seal over years of use and compression.

Thermal management

LM6 Aluminum is used for its excellent mechanical strength and thermal dissipation properties in low and high ambient temperatures. The superior thermal heat sink design by Ligman used in conjunction with the driver, controls thermals below critical temperature range to ensure maximum luminous flux output, as well as providing long LED service life and ensuring less than 10% lumen depreciation at 50,000 hours.

BUG Rating

B0 - U1 - G0

Surge Suppression

Standard 10kv surge suppressor provided with all fixtures.

Finishing

All Ligman products go through an extensive finishing process that includes fettling to improve paint adherence.

Paint

UV Stabilized 4.9Mil thick powder coat paint and baked at 200 Deg C. This process ensures that Ligman products can withstand harsh environments. Rated for use in natatoriums.

MicroPRIM Finishes

MicroPRIM is Ligman's trade marked decorative powder coating technology that permanently infuses colors, patterns, or imagery directly into the surface of luminaires and poles while providing protections that standard powder coating does not offer.

MicroPRIM finishes include nature-inspired wood grains and stone aesthetics, material-inspired finishes such as brushed metal, concrete, and carbon fiber. Solid colors in Ligman standard colors, as well as any RAL or Pantone color, Decorative patterns, custom imagery and more.

Coating and Infusion Process

Metal components are pre-treated and powder coated with a proprietary polyurethane-based coating engineered for outdoor architectural use. Decorative patterns or imagery are then permanently infused into the cured powder coat through a heat-based process, creating a durable, integrated finish.

Performance and Validation

MicroPRIM finishes are suitable for indoor and outdoor applications and meet AAMA2605 architectural coating requirements. Performance is validated through laboratory and real-world testing to ASTM standards for UV exposure, adhesion, abrasion, impact, salt spray, chemical resistance, and graffiti resistance.

All MicroPRIM finishes are backed by Ligman's 10-year warranty.

Key Performance Attributes

- Anti-graffiti resistance
- UV and weather resistance
- Scratch and abrasion resistance
- Natorium Rated for installation in corrosive environments)

Hardware

Provided Hardware is Marine grade 316 Stainless steel.

Anti Seize Screw Holes

Tapped holes are infused with a special anti seize compound designed to prevent seizure of threaded connections, due to electrolysis from heat, corrosive atmospheres and moisture.

Opal Borosilicate Glass Lens

Provided with opal borosilicate impact resistant glass.

Optics & LED

Precise optic design provides exceptional light control and precise distribution of light.
LED CRI > 80

Lumen - Maintenance Life

L80 /B10 at 50,000 hours (This means that at least 90% of the LED still achieve 80% of their original flux)

Contemporary wayfinding fixture for glare free visual comfort. Sophisticated design, with minimal footprint and available with optional surrounds and supply solutions.

A range of square recessed wall luminaires featuring an indirect optical system designed for high vandal resistance. Ideal for outdoor applications such as shopping malls and pedestrian areas, serving as decorative wall guide lights. Key features include low glare and a low-maintenance design.

Equipped with high-quality SMD LEDs, these luminaires offer low energy consumption and an extended service life of **60,000-80,000 hours**. The fixture is secured to the recessing box with hidden screws for enhanced vandal resistance.

A remote driver and enclosure box are provided as standard. Fixtures are supplied with a galvanized recessing box and are suitable for concrete pour applications.

This is a **24V constant voltage** fixture. It supports one driver for multiple fixtures. Please specify the number of fixtures at the time of quotation or ordering.

Non-dimming configuration

Available in turtle-friendly amber and white color temperatures: 2700K, 3000K, 3500K, and 4000K.

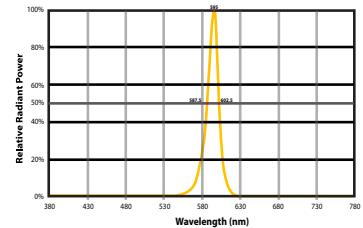
Note: LBX black and dark grey finishes are not recommended due to reduced light output.

When **AMB** is selected, the fixture uses special amber LEDs with tightly controlled wavelengths to comply with Florida Fish and Wildlife guidelines and Flagstaff Dark Sky requirements. These features help protect wildlife while maintaining environmentally responsible lighting.

All Ligman fixtures can be manufactured with a special pre-treatment and coating process for installation in natatoriums or environments with high chlorine or salt concentrations, while maintaining the 10-year warranty. For this option, specify **NAT** during ordering.

CITY OF FLAGSTAFF & TURTLE FRIENDLY COMPLIANT

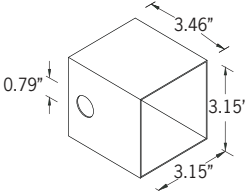
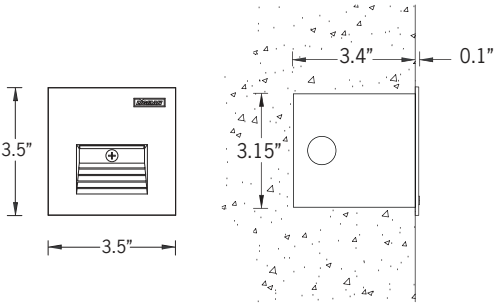
AMB Spectral Diagram



Narrow-Spectrum Amber LEDs

Peak wavelength between 585 & 595 nanometers and a full width of 50% power no greater than 15 nanometers.

2w LED 39 Lumens
IP65 · Suitable For Wet Locations
IK07 · Impact Resistant (Vandal Resistant)
Weight .66 lbs



A80191
3" x 10" Remote Enclosure Box



ULB-40435

[LLTH: ULB-40437]

LBX 1 Recessed - Constant Voltage

PROJECT		DATE	
---------	--	------	--

QUANTITY		TYPE		NOTE	
----------	--	------	--	------	--

ORDERING EXAMPLE || ULB-40435 - 2w - W30 - 02 - 120/277V

ULB-40435				
LAMP	2w LED 39 Lumens	LED COLOR	W27 - 2700K W30 - 3000K W35 - 3500K W40 - 4000K AMB - TURTLE FRIENDLY Amber LED	FINISH COLOR
			01 - BLACK RAL 9011 02 - DARK GREY RAL 7043 03 - WHITE RAL 9003 04 - METALLIC SILVER RAL 9006 05 - MATTE SILVER RAL 9006 06 - LIGMAN BRONZE 07 - CUSTOM RAL	VOLTAGE
				120/277v

--	--

OPTION

Note: Black or Dark Finished are not recommended due to reduced light output.

NAT - Natatorium Rated
[XX] Fixtures : 1 LED Driver (Must Specify # of fixture's or total Wattage needed)

More Custom Finishes Available Upon Request

Consult factory for pricing and lead times

MicroPRIM FINISHES

- SW01 - OAK FINISH
- SW02 - WALNUT FINISH
- SW03- PINE FINISH
- DF - DOUGLAS FIR FINISH
- CW - CHERRY WOOD FINISH
- NW - NATIONAL WALNUT FINISH
- SU01 - CONCRETE FINISH
- SU02 - SOFTSCAPE FINISH
- SU03 - STONE FINISH
- SU04 - CORTEN FINISH
- CSM - Custom Image/Pattern

MicroPRIM FINISHES

- MP - MAPLE FINISH
- MHG - MAHOGANY FINISH
- BH - BEECH FINISH
- CN - CHESTNUT FINISH
- WMBL - WHITE MARBLE FINISH
- MBL - MARBLE FINISH
- GRNT - GRANITE FINISH
- BGD - BRUSHED GOLD FINISH
- BBRZ - BRUSHED BRONZE FINISH
- CAMO - CAMOUFLAGE FINISH

- MP01 - MicroPRIM RAL 9011 Black (Glossy)
- MP02 - MicroPRIM RAL 7043 Dark Grey (Glossy)
- MP03 - MicroPRIM RAL 9003 White (Glossy)
- MP04 - MicroPRIM RAL 9006 Metallic Silver (Glossy)
- MP05 - MicroPRIM RAL 9006 Matte Silver (Matte/Textured)
- MP06 - MicroPRIM Ligman Bronze (Glossy)
- MP07 - MicroPRIM Custom Color (Glossy)



MicroPRIM Finish



LBX Product Family



LBX 1

· ULB-40435-2w-39lm



LBX 5

· ULB-10851-14w-453lm [4"x4", 17.7"]



LBX 6

· ULB-10842-21w-900lm [6.3"x6.3", 31.4"]



LBX 7

· ULB-10861-27w-1553lm [7.3"x7.3", 31.4"]